

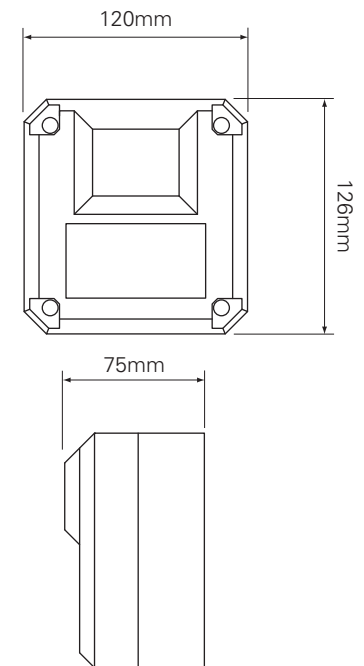
# BG2 - Explosion-proof Manual Call Point

This manual call point has a corrosion resistant GRP body suiting it to the harsh hazardous environments found in both offshore and exposed onshore industrial environments.

## ATEX

### Technical Specification

Voltage	Up to 250Vac 5A (switch only) Up to 24Vdc (resistor + switch) (Fire use)
Current	5A (switch only)
Temperature	- 20°C to +50°C
Protection	IP66 / 67
Construction	UV stabilised GRP
Weight	1.2Kg
Colour	Red



### Features

- Exed, Zone 1 and Zone 2 use
- IP66/67 protection
- Corrosion resistant
- -20°C to +50°C operating temperature range

### Benefits

- Suitable for explosion protected applications
- Internal or exposed external applications
- Low maintenance
- Can be used in a wide range of harsh environments

### Reference

BG2EDC1NR

BG2EDC3NR 470 671006FULL

### Catalogue No.

PX800004

PX206166

### Description

BG2 Call Point, EExed, Switch Only, No Flap, Painted Red

BG2 Call Point, EExed, 470R Series Resistor, No Flap, Painted Red